



PD3000 Narrow Profile ICU Lock For Sliding Doors

- Narrow-profile mortise lock fits door openings larger locks do not, including glass doors
- Innovative design with activator that provides self-latching function
- Designed to replace existing narrow profile locks with easy retrofit and superior strength, resilience, and durability
- Tested to 250,000 cycles for latch and bolt

APPLICATION

The innovative INOX PD3000 has an actuator on the faceplate that automatically activates the Self-Latching Hook Bolt quickly and quietly when the door is closed. No pressure or force is required to self-latch the door. The lock can be installed with the Hook Bolt facing either up or down.

The lock can be installed in wood or profile doors, retrofits any narrow stile lock on the market, and is suitable for a wide range of applications, including Hospitality, Healthcare, and Commercial.

FINISH

Standard:

- 32D Satin Stainless Steel
- 19G Graphite Black

Special Order:

- 32 Bright Stainless Steel
- PVD4 Satin Brass
- 10B Oil Rubbed Bronze
- CeraMax Ceramic Coating
 - C19G Ceramic Graphite Black
 - C19 Ceramic Flat Black
 - CGY Ceramic Stormy Grey
 - CDB Ceramic Dark Bronze

SPECIFICATIONS

Standard Door Thickness	1-3/4" (45mm) <i>Thick door kits available</i>
Backset	1-1/4" (31.5mm)
Thumbturn Spindle	8mm x 8mm square
Case Size	4-1/2" x 5/8" x 1-19/32" (114mm x 16mm x 40.5mm)
Handing	Non-Handed

CODE COMPLIANCE

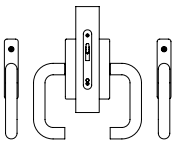


- ASBU A117.1 Accessibility Code (ADA Compliant)
- Meets UL1784 Standard

MATERIAL

- Lockcase: Heavy gauge steel
- Hook Bolt: Brass and Stainless Steel
- Faceplate and Strike: Stainless Steel
- Cylinder: Solid brass
- Lever: Stainless Steel

FUNCTION



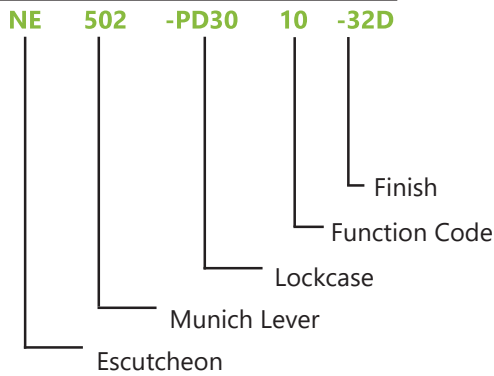
Passage: PD3010

- Self-latching: When the sliding door is closed, the Hook Bolt is automatically engaged into the strike
- Outside and inside levers are always unlocked and retract the Hook Bolt

HOW TO ORDER

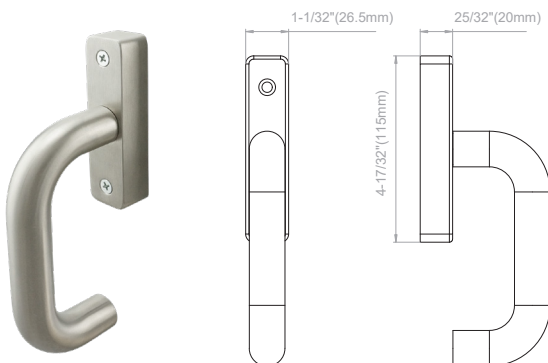
Specify the Escutcheon, Lever, Lock, Function, and Finish using the product identification below:

Standard Product Identifications



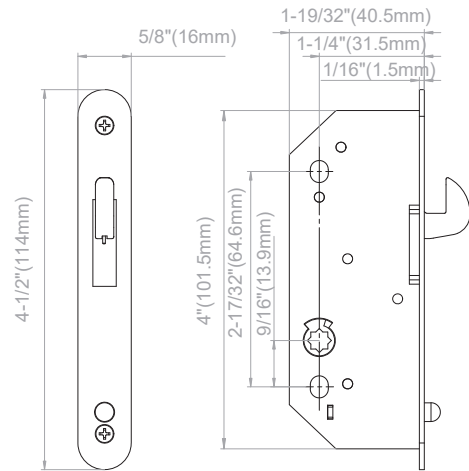
Part Number	Description
PD3010	Passage, 1-1/4" backset

ESCUTCHEON DIMENSIONS



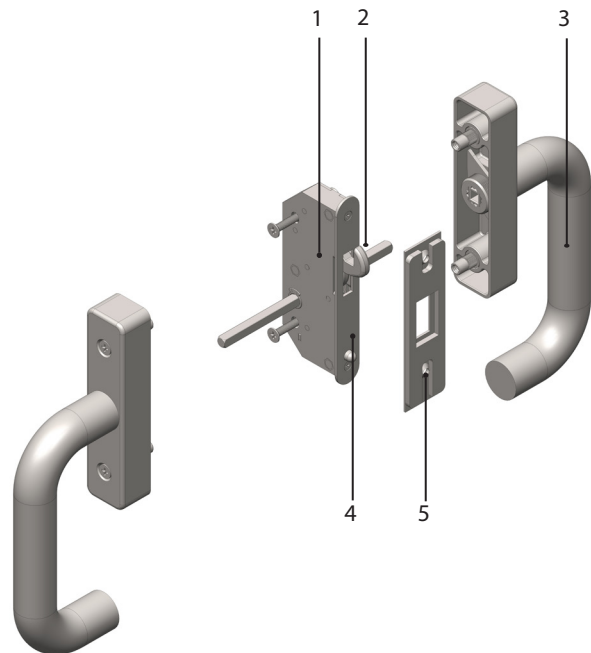
Part Number	Description
NE502	502 Munich lever with narrow profile escutcheon

LOCKCASE DIMENSIONS



Part Number	Description
PD3000-114	PD3000 1-1/4" backset lockcase with faceplate and strike

COMPONENTS



1. PD3000 lockcase
2. Self-Latching Hook Bolt
3. Narrow Escutcheon (NE) with 502 Munich lever
4. Actuator button to activate the retracted Self-Latching Hook Bolt
5. Adjustable Strike